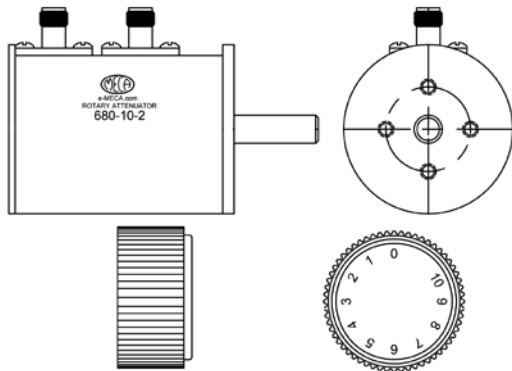




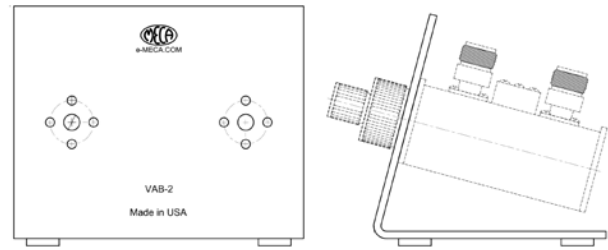
Variable Step Attenuators



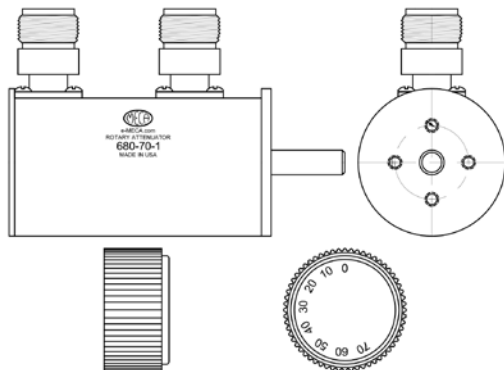
Max Power (Watts)	Series	Attenuation	Freq (GHz)	Connector	L" x OD"
2	680-10-1	0-10 dB 1dB steps	Hz - 2.4	N-F	3.42 x 1.50
2	680-10-2	0-10 dB 1dB steps	Hz - 2.2	SMA-F	2.45 x 1.50
2	680-10-1-M01	0-10 dB 1dB steps	Hz - 2.7	N-F	2.75 x 1.50
2	680-10-2-M01	0-10 dB 1dB steps	Hz - 2.7	SMA-F	2.75 x 1.50
2	680-70-1	0-70 dB 10dB steps	Hz - 2.2	N-F	3.42 x 1.50
2	680-70-2	0-70 dB 10dB steps	Hz - 2.2	SMA-F	3.42 x 1.50
2	680-80-1	0-80 dB 10dB steps	Hz - 2.5	N-F	4.26 x 1.50
2	680-80-2	0-80 dB 10dB steps	Hz - 2.5	SMA-F	4.26 x 1.50
2	680-100-1	0-100 dB 10dB steps	Hz - 2.5	N-F	4.26 x 1.50
2	680-100-2	0-100 dB 10dB steps	Hz - 2.5	SMA-F	4.26 x 1.50
2	685-30-1	0-30 dB 1dB steps	Hz - 2.0	N-F	4.72 x 1.50
2	685-30-2	0-30 dB 1dB steps	Hz - 2.0	SMA-F	4.72 x 1.50
2	685-50-1	0-50 dB 1dB steps	Hz - 2.5	N-F	5.38 x 1.50
2	685-50-2	0-50 dB 1dB steps	Hz - 2.5	SMA-F	5.38 x 1.50
2	685-80-1	0-80 dB 1dB steps	Hz - 2.2	N-F	4.26 x 1.50
2	685-80-2	0-80 dB 1dB steps	Hz - 2.2	SMA-F	4.26 x 1.50
N/A	VAB-1	Benchtop Bracket	N/A	N/A	4.13 x 3.00
N/A	VAB-2	Dual Benchtop Bracket	N/A	N/A	4.13 x 5.00



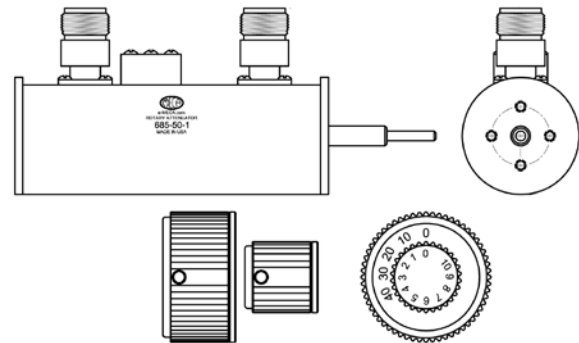
680-10-2



VAB-2



680-70-1



685-50-1

Vertrieb und Produktinformation:

Melatronik Nachrichtentechnik GmbH
 vertrieb@melatronik.de www.melatronik.de